



**For Security  
Vari-Focal**

Applicable camera (model)

# YV2.4×2.5A-2

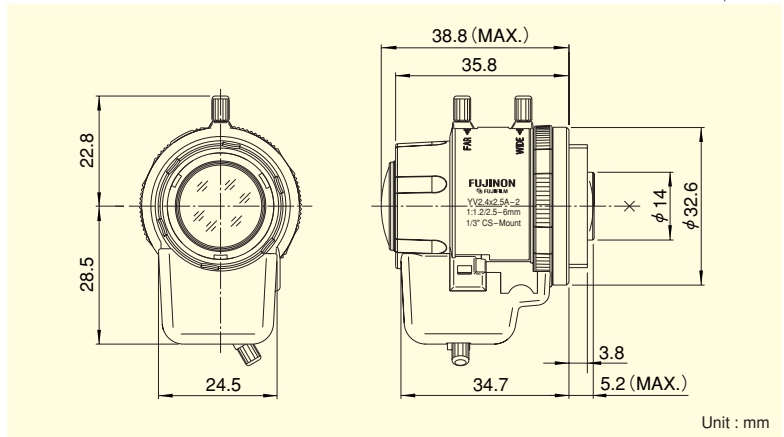
1	2/3	1/2	1/3	1/4
---	-----	-----	-----	-----

- VARI**  
Vari-Focal
- WIDE**  
Wide Angle
- MANUAL**  
Manual Iris
- CS-mt**  
CS Mount
- METAL**  
Metal Mount
- ND**  
ND Filter
- AT**  
Aspherical Lens
- F1.2**  
Wide Aperture Rate

**2.4×**



- WIDE2.5mm, achieving the horizontal field angle of 110 degrees (when used on 1/3 cameras).
- Wide aperture of F1.2, optimizing the performance at low lighting intensity.
- Compact and lightweight design, best suited for the use with dome cameras.
- High accuracy aspheric lens adopted, achieving the high quality image.
- Built-in ND filter of T360, supporting high sensitivity cameras.



VARI-FOCAL LENSES

Focal Length (mm)		2.5~6 (2.4×)	
Iris Range		F1.2 ~ T360·C	
Operation	Zoom	Manual	
	Focus	Manual	
	Iris	Manual	
Angle Of View (H×V)	1/3"	WIDE	110°00' × 80°58'
		TELE	46°11' × 34°34'
	1/4"	WIDE	80°58' × 60°80'
		TELE	34°34' × 25°54'
Focusing Range (From Front Of The Lens) (m)		∞ ~ 0.3	
Object Dimensions at M.O.D. (H×V) (mm)	1/3"	WIDE	880 × 525
		TELE	262 × 191
	1/4"	WIDE	525 × 356
		TELE	191 × 141
Back Focal Distance (in air) (mm)		7.51	
Exit Pupil Position (From Image Plane) (mm)		104	
Filter Thread (mm)		—	
Mount		CS	
Mass (g)		30	
Remarks		•With Metal Mount	

[Lens Image]

