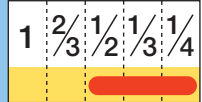




**For Security  
Vari-Focal**

Applicable camera (model)

# DV5×3.6R4B-SA2



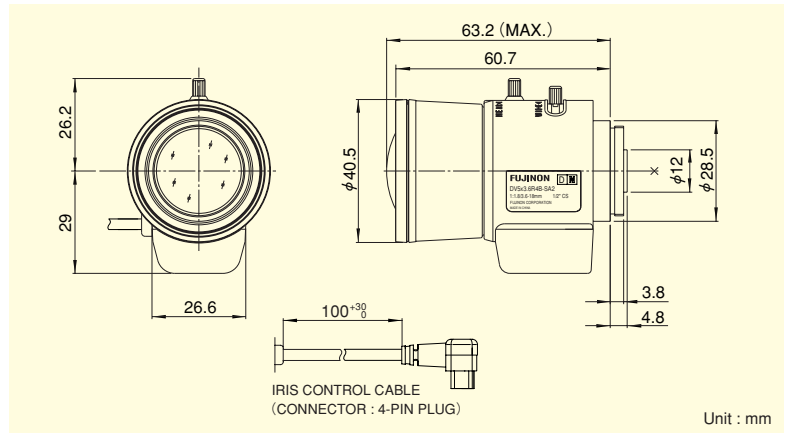
5×



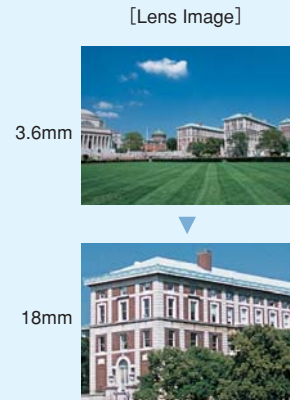
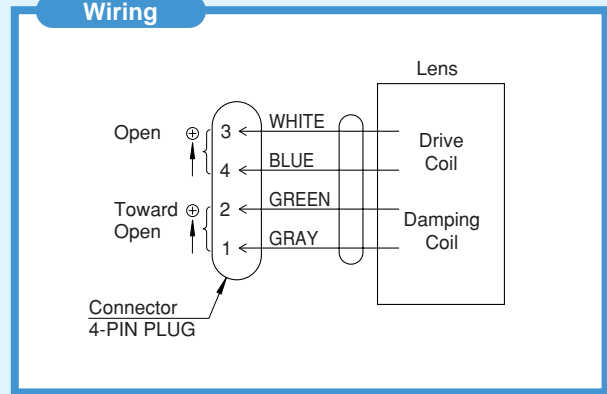
\*Photograph is a similar model.

- VARI**  
Vari-Focal
- WIDE**  
Wide Angle
- TELE**  
Telephoto Long Focal
- Day~Night**  
Day & Night
- DC**  
DC Auto Iris
- CS-mt**  
CS Mount
- METAL**  
Metal Mount
- ND**  
ND Filter
- 230**  
Long Cable
- AT**  
Aspherical Lens

- Advanced design engineering and special optic glass adopted, best suited for color, Black and White and Day and Night cameras.
- Compatible with a wide range - 1/2", 1/3" and 1/4" - cameras.
- Broad range of f3.6-18mm, supporting various applications.
- High accuracy aspheric lens adopted, achieving the high quality image.
- Built-in ND filter of T360, supporting high sensitivity cameras.



Focal Length (mm)		3.6~18 (5×)	
Iris Range		F1.8 ~ T360 (Equivalent to F360)	
Operation	Zoom	Manual	
	Focus	Manual	
	Iris	Auto (DC Type) (*1)	
Angle Of View (H×V)	1/2"	WIDE	95°54' × 72°24'
		TELE	19°57' × 15°09'
	1/3"	WIDE	72°24' × 54°25'
		TELE	15°09' × 11°26'
	1/4"	WIDE	54°25' × 40°50'
		TELE	11°26' × 8°37'
Focusing Range (From Front Of The Lens) (m)		∞ ~ 0.3	
Object Dimensions at M.O.D. (H×V) (mm)	1/2"	WIDE	694 × 457
		TELE	110 × 83
	1/3"	WIDE	457 × 321
		TELE	83 × 62
	1/4"	WIDE	321 × 232
		TELE	62 × 47
Back Focal Distance (in air) (mm)		7.87	
Exit Pupil Position (From Image Plane) (mm)		-81	
Filter Thread (mm)		—	
Mount		CS	
Mass (g)		75	
Coil Resistance		Drive Coil	190Ω
		Damping Coil	500Ω
Current Consumption		23mA (Max.) at DC 4V	
Remarks		<ul style="list-style-type: none"> <li>• With Metal Mount</li> <li>(*1) When power is turned off, iris will automatically close.</li> </ul> <b>DV5×3.6R4B-SA2L :</b> Long Cable Type (230mm)	



VARI-FOCAL LENSES