



**For Security
Vari-Focal**

DV10×7B-SA2

Applicable camera (model)

| | | | | |
|---|-----|-----|-----|-----|
| 1 | 2/3 | 1/2 | 1/3 | 1/4 |
|---|-----|-----|-----|-----|

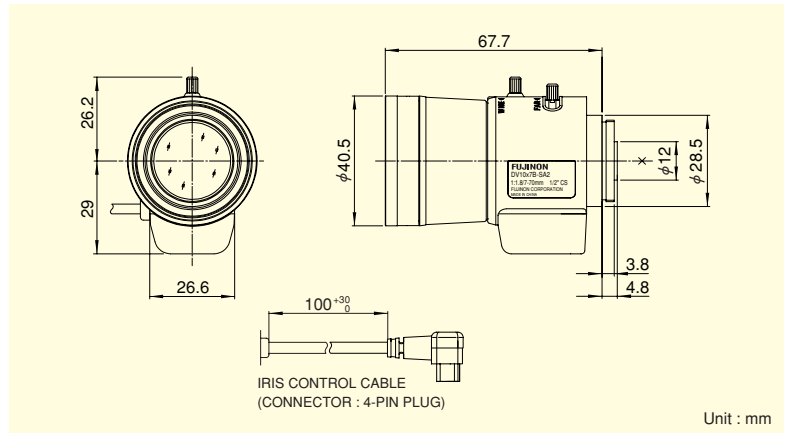
- VARI**
Vari-Focal
- WIDE**
Wide Angle
- TELE**
Telephoto Long Focal
- DC**
DC Auto Iris
- CS-mt**
CS Mount
- METAL**
Metal Mount
- ND**
ND Filter
- 230**
Long Cable
- AT**
Aspherical Lens

10×



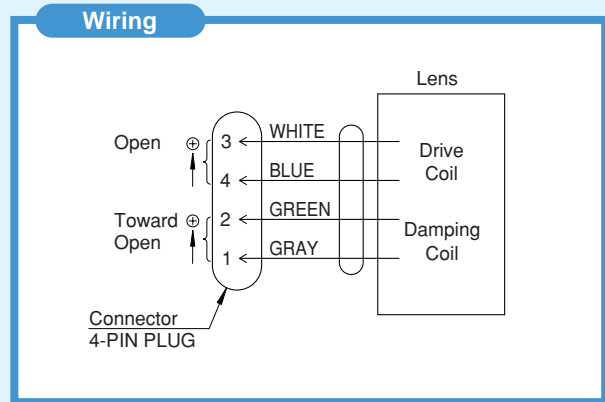
*Photograph is a similar model.

- Compatible with a wide range - 1/2", 1/3" and 1/4" - cameras.
- Broad range of f7-70mm, supporting various applications.
- High accuracy aspheric lens adopted, achieving the high quality image.
- Built-in ND filter of T360, supporting high sensitivity cameras.



VARI-FOCAL LENSES

| | | | |
|---|-------|--|-----------------|
| Focal Length (mm) | | 7~70 (10×) | |
| Iris Range | | F1.8 ~ T360 (Equivalent to F360) | |
| Operation | Zoom | Manual | |
| | Focus | Manual | |
| | Iris | Auto (DC Type) (*1) | |
| Angle Of View (H×V) | 1/2" | WIDE | 50°01' × 38°12' |
| | | TELE | 5°12' × 3°59' |
| | 1/3" | WIDE | 38°12' × 28°56' |
| | | TELE | 3°59' × 3°02' |
| | 1/4" | WIDE | 28°56' × 21°49' |
| | | TELE | 3°02' × 2°17' |
| Focusing Range (From Front Of The Lens) (m) | | ∞ ~ 0.3 | |
| Object Dimensions at M.O.D. (H×V) (mm) | 1/2" | WIDE | 301 × 223 |
| | | TELE | 60 × 46 |
| | 1/3" | WIDE | 223 × 166 |
| | | TELE | 46 × 35 |
| | 1/4" | WIDE | 166 × 124 |
| | | TELE | 35 × 26 |
| Back Focal Distance (in air) (mm) | | 7.90 | |
| Exit Pupil Position (From Image Plane) (mm) | | -62 | |
| Filter Thread (mm) | | — | |
| Mount | | CS | |
| Mass (g) | | 100 | |
| Coil Resistance | | Drive Coil | 190Ω |
| | | Damping Coil | 500Ω |
| Current Consumption | | 23mA (Max.) at DC 4V | |
| Remarks | | <ul style="list-style-type: none"> • With Metal Mount (*1) When power is turned off, iris will automatically close. DV10×7B-SA2L : Long Cable Type (230mm) | |



[Lens Image]

